

# FiberExpress Manager

## Rack Components and Modules

AX100934 FiberExpress Manager Shelf



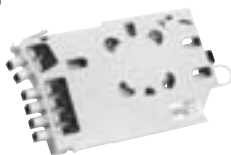
AX101943 FiberExpress Manager 1U Rack Mount Patch Panel



AX102032 FiberExpress Manager 1U Cable Management Accessory



AX101525 Connector Module Pre-terminated MPO-MT-RJ



### FiberExpress Manager Shelf

**FiberExpress modules** are rack-mounted using FiberExpress Manager Shelves. The shelves provide the total system with extra high connection density while facilitating cable routing and patch cord management. For 19- or 23-inch rack: 19 in. shelf holds up to 12 modules; 23 in. shelf holds up to 16 modules.

### FiberExpress Manager 1U

The **FiberExpress Manager 1U Rack Mount Patch Panel** is a low-cost, compact assembly designed for interconnection or splicing of optical fiber cables, using up to three FiberExpress Manager Modules. The low-profile design minimizes rack space to only 45 mm (1.75 in.). An optional FiberExpress Manager 1U Cable Management Accessory is also available.

### FiberExpress Manager Connector Module

The **Connector Module** is the basic building block of the FiberExpress Manager. It is designed with a unique release mechanism that allows it to slide from the shelf like a PC card, easing management of patch cords.

Description	Belden Part Number	
	Gray	Black
<b>FiberExpress Manager</b>		
<b>FiberExpress Manager</b>		
Shelf, 23 in., 10.9 kg (24 lb)	<b>AX100934</b>	<b>AX100935</b>
Shelf, 19 in., 8.2 kg (18 lb)	<b>AX101084</b>	<b>AX101085</b>
1U, Rack Mount Patch Panel, 19 in., 5 kg (11 lb)	<b>AX101944</b>	<b>AX101943</b>
1U, Cable Management Accessory, 19 in., 1 kg (2 lb)	<b>AX102033</b>	<b>AX102032</b>

Description	Belden Part Number					
	ST Type	SC Simplex	SC Duplex	SC Duplex (ST in)	LC	FC

### FiberExpress Manager

<b>FiberExpress Manager Connector Module</b>						
Metal Sleeve, Multimode, 6 fibers	<b>AX101089</b>		<b>AX101092</b>			
Zirconia Ceramic, Single-mode, 6 fibers	<b>AX100936</b>	<b>AX100943</b>	<b>AX100944</b>			
Metal Sleeve, Multimode, 12 fibers	<b>AX101187</b>		<b>AX101714</b>	<b>AX101120</b>	<b>AX101528</b>	
Zirconia Ceramic, Single-mode, 12 fibers	<b>AX101186</b>		<b>AX101713</b>	<b>AX101119</b>	<b>AX101527</b>	
Zirconia Ceramic, Single-mode, 12 UPC pigtails			<b>AX101715</b>			
Metal Sleeve, Multimode, 24 fibers					<b>AX102306</b>	
Zirconia Ceramic, Single-mode, 24 fibers					<b>AX102305</b>	
Zirconia Ceramic, Single-mode/Multimode, 6 fibers						<b>AX100937</b>
		<b>Multimode 62.5 µm</b>	<b>Multimode 50 µm</b>	<b>Single-mode</b>		<b>—</b>
MPO(m)-ST type, 12 pre-terminated	<b>AX101189</b>		<b>AX101190</b>	<b>AX101188</b>		
MPO(m)-SC Duplex, 12 pre-terminated	<b>AX101091</b>		<b>AX101114</b>	<b>AX101090</b>		
MPO(m)-MT-RJ(m), 12 pre-terminated	<b>AX101525</b>		<b>AX101526</b>	<b>AX101524</b>		
MPO(m)-LC, 12 pre-terminated	<b>AX101530</b>		<b>AX101531</b>	<b>AX101529</b>		
MPO(m)-LC, 24 pre-terminated	<b>AX102309</b>		<b>AX102308</b>	<b>AX102307</b>		
MT-RJ, Beige, Multimode, 12 fibers						<b>AX101096</b>
MT-RJ, Blue, Single-mode, 12 fibers						<b>AX101581</b>

These products are in the process of being assessed for RoHS compliance. Please check our Web Site for the most current RoHS status.



# DATA Sheet

## FiberExpress Manager Shelf

### Description

FiberExpress modules are rack-mounted using FiberExpress shelves. The shelves provide the total system with extra high connection density while facilitating cable routing and patch cord management. The shelves contribute to the overall system user-friendliness in several ways which are listed below in the Features & Benefits section.

- > For 19 in. or 23 in. rack
- > 19 in. shelf holds up to 12 modules
- > 23 in. shelf holds up to 16 modules

### Features & Benefits

- > Cable slack storage provided in lower portion of each shelf
- > Back door serves as working platform during connectorization
- > Cable tie-down straps provided to facilitate cable management
- > 2.54 cm (1 in.) pull-out of module allows for easy front access to connectors without potentially disconnecting other links
- > Full maintenance access at the back
- > Grounding/bonding post within each shelf
- > High density- Optimizes real estate space by being able to install up to 1920 fibers per rack (7 foot tall, 23 inch wide, 12-fiber modules)
- > Available in black or gray.

### Applications

- > Backbone termination in telecommunications rooms or main distribution rooms
- > Telco, Co-location, Point of Presence (POP), CLEC&CATV fiber deployment
- > Fiber interconnect cabinet
- > Cross-connect or interconnect configuration.

### Technical specifications

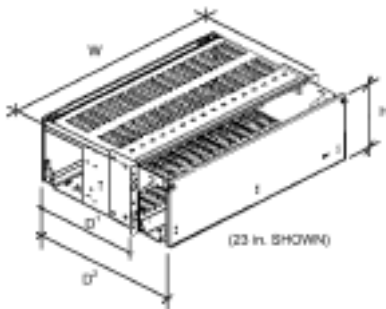
#### Physical characteristics

#### Material

- > Steel, 16 gauge, powder paint finish
- > Smoked plexiglass door.



AX100935 FiberExpress Manager Shelf

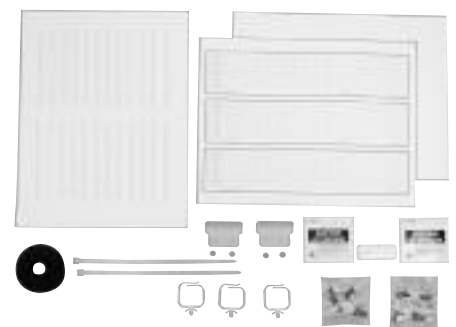


DIMENSION (in.)	W	H	D <sup>1</sup>	D <sup>2</sup>
19 in.	19	7 (4U)	11.8/125	16
23 in.	23	7 (4U)	11.8/125	16

<sup>1</sup> ADD 2.54cm (1in) WITH WIRE WITH VERTICAL CABLE MANAGEMENT CHANNEL EQUIPPED BY DOOR.

HEIGHT (inches)	WEIGHT (POUNDS)	LOADS (POUNDS)
19 in.	18/12.2	25/11.5
23 in.	24/10.9	33.5/15.2

FiberExpress Manager Shelf (Tracé)



Packaging



# DATA Sheet

## Packaging

- The shelf (19 in. or 23 in.) comes with a hardware kit which includes the following:
  - 1 blank sheet (3 labels) for rack/shelf connection identification (Printing template can be found on our web site)
  - 1 pre-printed sheet (3 labels) for rack/shelf connection identification
  - 1 blank sheet (24 labels) for module identification (Printing template can be found on our web site)
  - 1 rack/shelf identification label
- 2 cable ties
- 3 Optical network saddles
- 8 Velcro straps, 20 cm (8 in.) long
- 2 Caution labels
- An installation guide (also available on our web site)
- The 19 in. version comes with 4 Pan Head Slotted/Phillips screws size 12-24
- The 23 in. version comes with 4 Pan Head Slotted/Phillips screws size 10-32.

## For More Information

For any other product information call:  
1 800 262-9334 • (514) 822-7533  
or visit us at [www.Beldenibdn.com](http://www.Beldenibdn.com)

All information is subject to change without notice, since Belden CDT reserves the right to change its products as progress in engineering and manufacturing methods or other circumstances may warrant.

## Ordering information

### FiberExpress Manager Shelf

COLOR	WEIGHT	LENGTH	UPC	ORDERING NUMBER
GRAY	10.9 Kg (24 lb)	23 in.	628575059249	AX100934
BLACK	10.9 Kg (24 lb)	23 in.	628575059256	AX100935
GRAY	8.2 Kg (18 lb)	19 in.	628575060665	AX101084
BLACK	8.2 Kg (18 lb)	19 in.	628575060672	AX101085